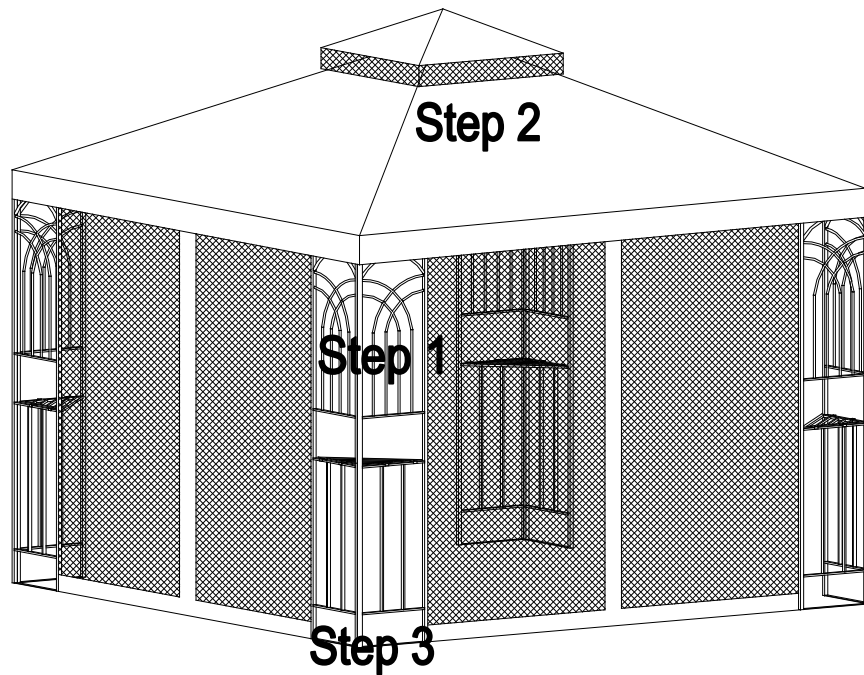
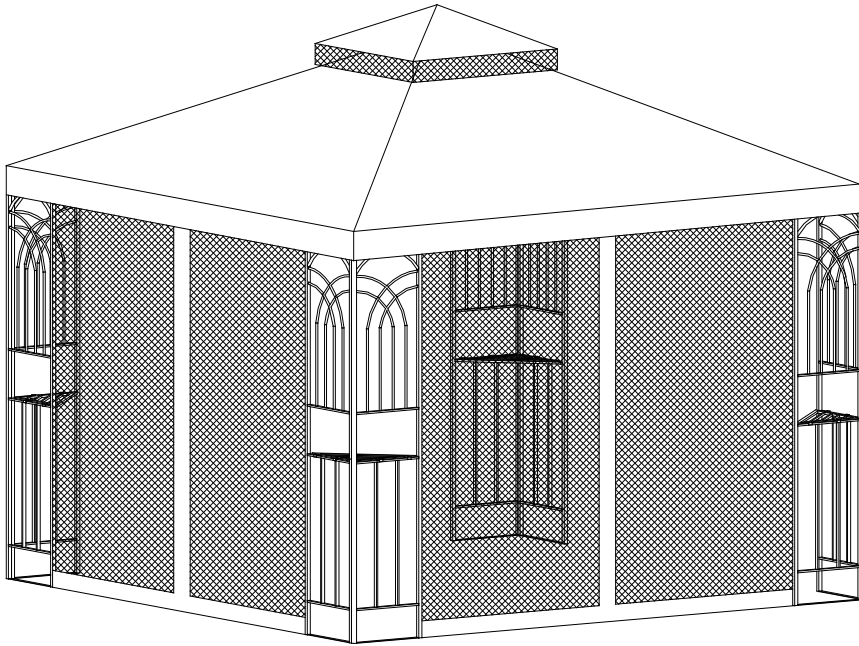







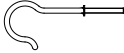



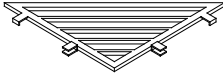


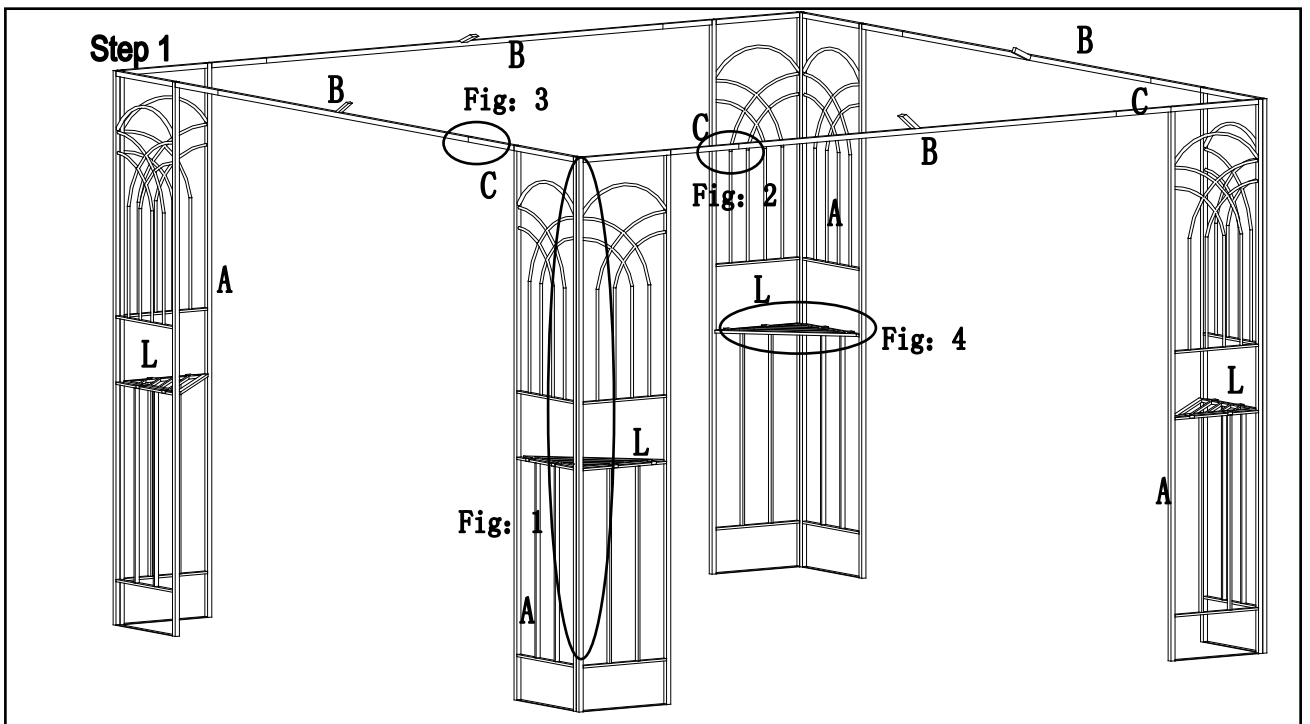
ASSEMBLY INSTRUCTION

10'x10' Easy Set-up Gazebo



Parts List

Screen	A	4	
Crossbeam	B	4	
Beam Connecting Pipe	C	8	
Cant Beam Down Tube	D	4	
Cant Beam	E	4	
Middle Beam	F	4	
Big Top Connector	G	1	
Hook	H	1	
Small Canopy	I	1	
Big Canopy	J	1	
Mosquito Netting	K	1	
Shelf	L	4	



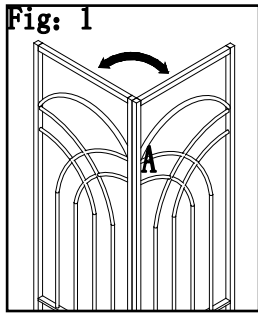


Fig:1: Open the Screen (A).

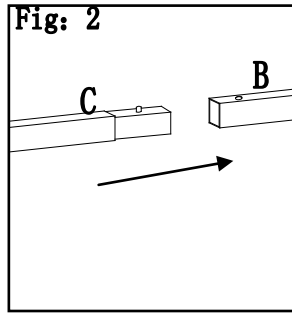


Fig:2: Insert one end of the Beam Connecting Pipe (C) into the Crossbeam (B).

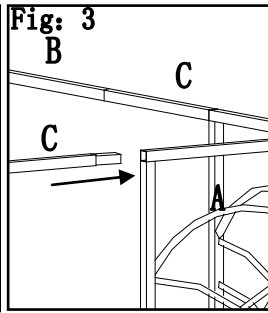


Fig:3: Insert another end of the Beam Connecting Pipe (C) into the Screen (A).

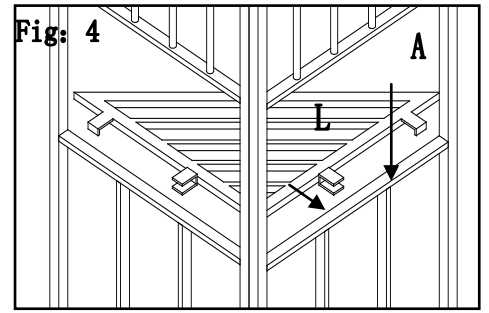


Fig:4: Put the Shelf (L) onto the horizontal pipe of the Screen (A).

Step 2

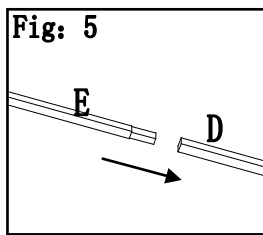
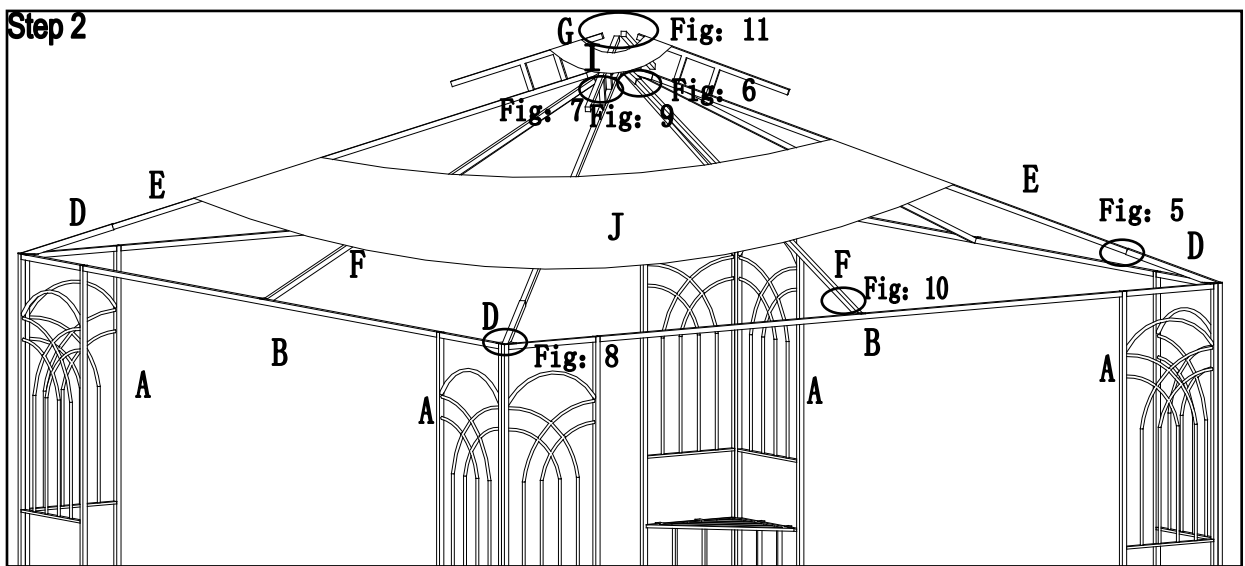


Fig:5: Insert the Cant Beam (E) into the tubes of the Cant Beam Down Tube (D).

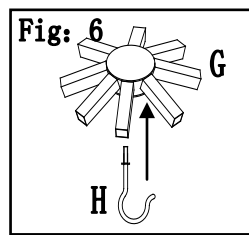


Fig:6: screw the Hook (H) into the Big Top Connector (G).

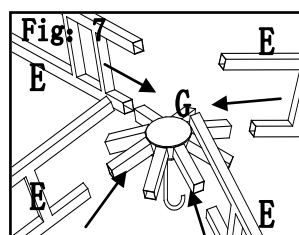


Fig:7: insert the Cant Beam (E) into tubes of the Big Top Connector (G)

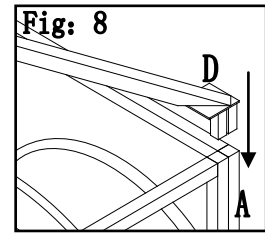


Fig:8: Insert the Cant Beam Down Tube (D) into the upright tubes of the Screen (A).

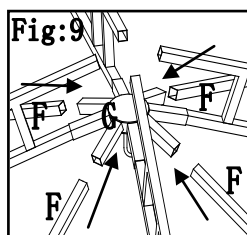


Fig:9: Insert the top of Middle Beam (F) into the Big Top Connector (G)

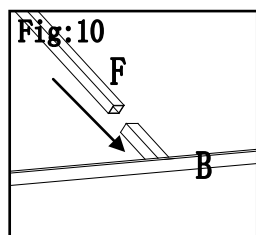
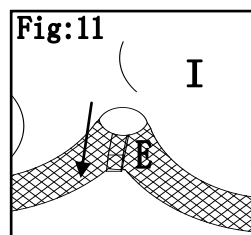




Fig:10: Insert the under Middle Beam (F) into the Crossbeam (B), put the Big Canopy onto the big top, do not spread.



Hardware Pack				
Plastic Ring	GG		48pcs	
Floor Nail	FF	∅ 6	16pcs	

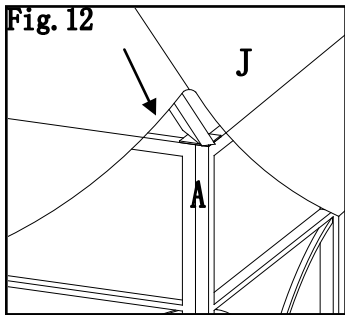
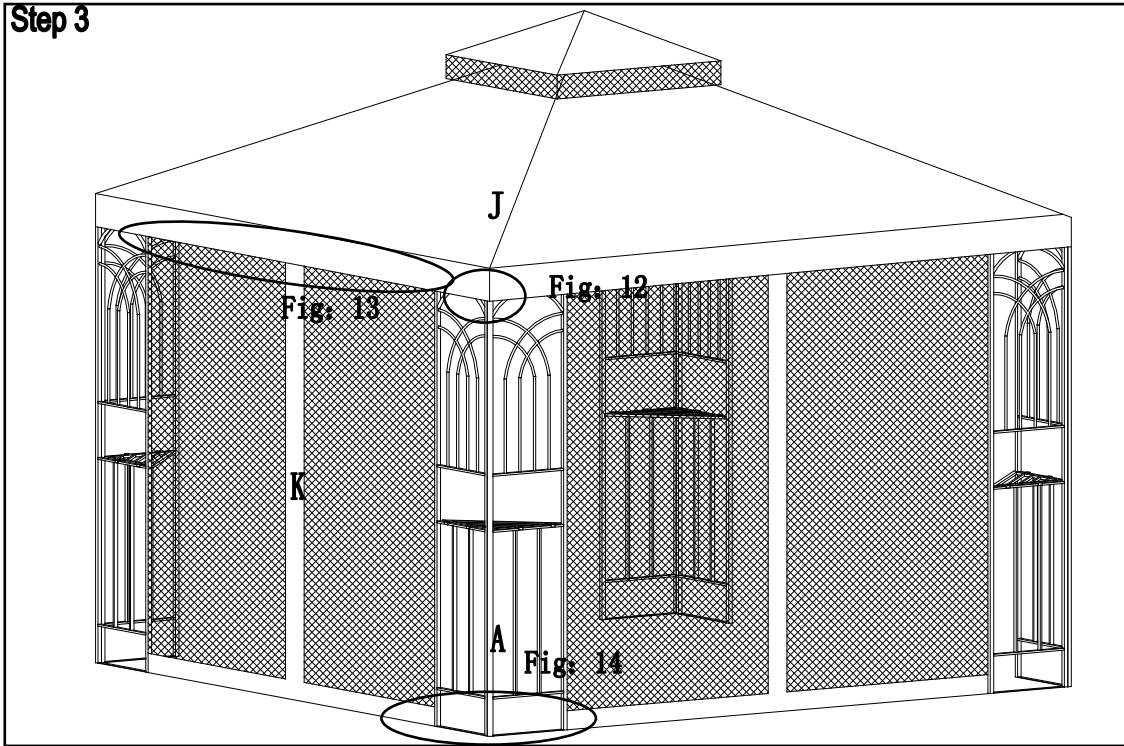


Fig.12: Open the Big Canopy (L), then pull down the valance to the upper end of the Screen (A).

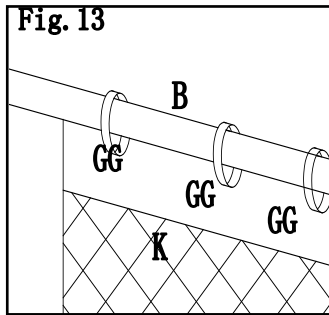


Fig.13: Attach the Mosquito Netting (K) onto the Beam (B) with Hook (GG).

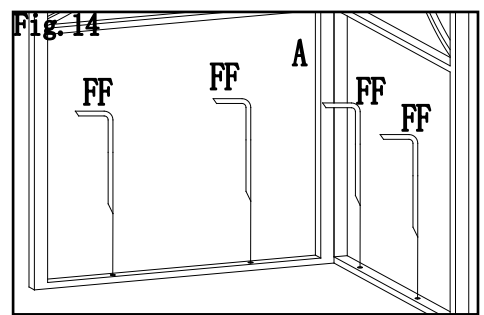


Fig.14: Secure the whole gazebo with Floor Nail (FF).

IMPORTANT:

1. When assembling and using this product, basic safety precautions should always be followed to reduce the risk of personal injury and damage to equipment. Please read all instructions before assembly and use.
2. Some parts may contain sharp edges, wear protective gloves if necessary. At least five or more people are recommended for safe assembly.
3. Keep all children and pets away from assembly area.
4. At least 6 feet from any obstruction such as fence, garage, house, overhanging branches, laundry line or electrical wires.
5. Do not use the unit during an electrical storm, as there is a remote chance of getting struck by lightning.
6. Do not leave the gazebo assembled when there is a risk of high wind, as possible damage will occur to the structure. Remove fabric roof and secure screen & privacy panels to poles.
7. Install on level surface.
8. Never barbecue under this gazebo or use lanterns that have open flames.
9. This package contains small items and plastic bags that should be kept away from children.
10. Check all nuts and bolts for tightness before and during usage. Ensure that all connectors and poles are firmly secured in position fully. It is important to do so before use so as to avoid a possible collapse or damage to the item, which could also result in injury.
11. This gazebo is intended for decorative and sunshade purposes only and is not meant to withstand extreme weather conditions including high winds, torrential rain and snow. Gazebo fabric is water resistant, not water proof and may leak during exposure to precipitation.

WARNINGS:

1. Assembly Instructions must be followed.
2. Pegs supplied must be used to hold this gazebo in place when upright.
3. Warranty does not cover damage due to extreme weather conditions.

WARNING: KEEP ALL FLAME AND HEAT SOURCES AWAY FROM THIS TENT FABRIC.

This tent meets the flammability requirements of CPAI-84. The fabric may burn if left in continuous contact with any flame source. The application of any foreign substance to the tent fabric may render the flame-resistant properties ineffective.

This unit is heavy. Do not assemble this item alone.